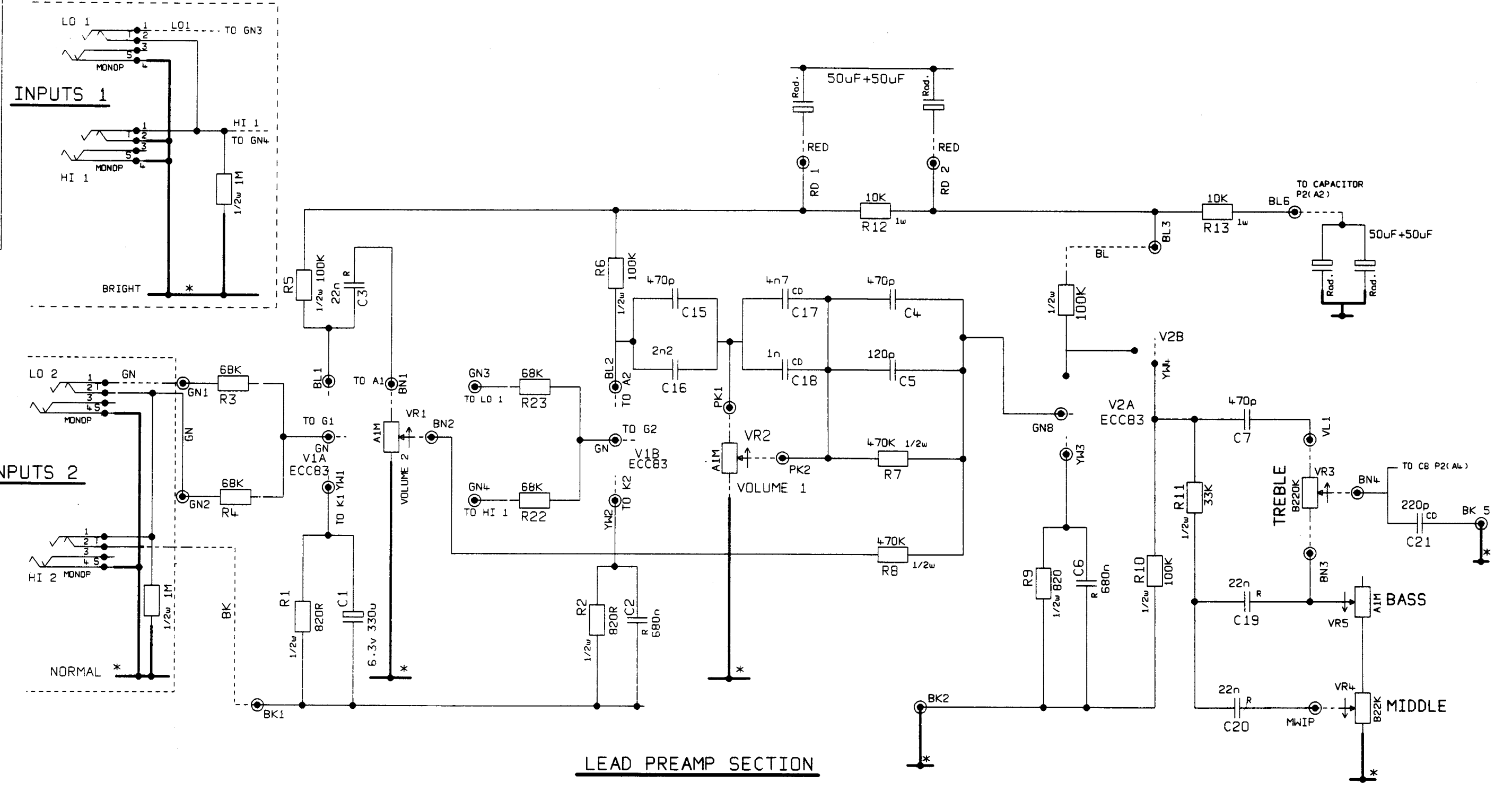


DWG. No. 59X-60-02



LEAD PREAMP SECTION

NOTES
DASHED LINES DENOTE WIRES OFF FROM THE PCB.
P2 (A5) - PAGE NO & GRID REF.
GND'S MARKED * ARE POT BUS GND.

7	0603	18/4/94	UNSPECIFIED HOLE DATA			MATERIAL	DIMENSIONS IN	<p>Marshall</p> <p>COPYRIGHT EXISTS ON THIS DOCUMENT. IT MUST NOT BE USED FOR ANY PURPOSE THAN THAT FOR WHICH IT IS SUPPLIED AND MUST NOT BE REPRODUCED OR IN PART) WITHOUT WRITTEN PERMISSION FROM © MARSHALL AMPLIFICATION PLC DENBIGH ROAD, BLETCHLEY, MILTON KEYNES, MK1 1DQ. TEL (0908)375111 FAX (0908)376118</p>	TITLE	<p>CCT DIAGRAM</p> <p>1 OF 2</p> <p>DWG. No 59X-60-02</p> <p>ISSUE 7</p>
6	0515	24/1/94	A	H	MATERIAL THICKNESS	TOLERANCE (UNLESS OTHERWISE STATED)	<p>1959SLP</p>			
5	0394	06/8/93	B	J	INTERNAL BEND RADIUS	DIMENSIONAL				
4	0348	13/5/93	C	K	EXTERNAL B/A	CENTRES				
3	0335	19/4/93	D	L	BEND DIE	ANGULAR				
2	0299	5-2-93	E	M	DRAWN T.FOY	DATE 27/08/92				
1	MANUFACTURE RELEASE		F	N	CHECKED	DATE				
ISS	ECO NUMBER	DATE	G	P	APPROVED	DATE				

1959SLP1A